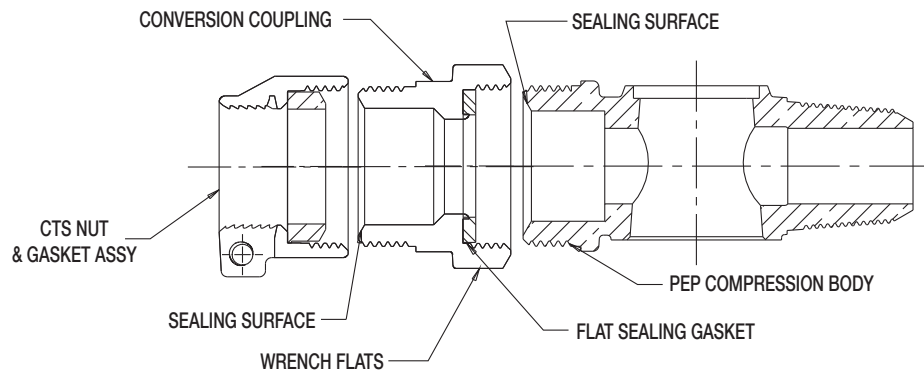




74694 Series PEP to CTS Conversion Coupling

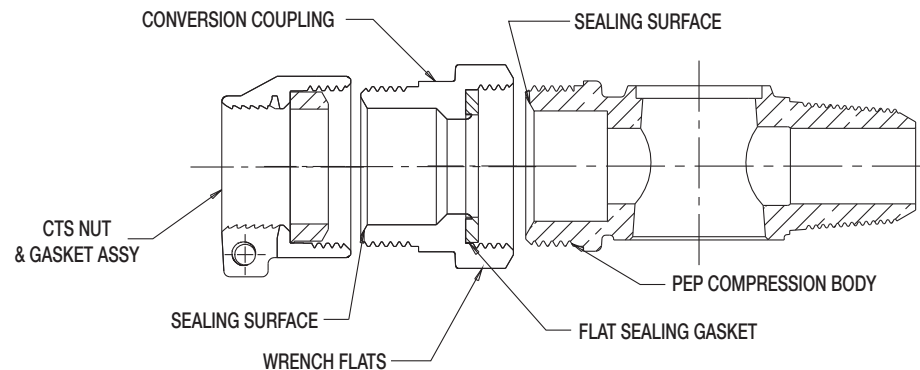


IMPORTANT NOTICE - READ CAREFULLY

1. The A.Y. McDonald PEP to CTS Conversion Coupling is designed to work only with PEP compression bodies. Using a 74694 series Conversion Coupling on bodies not designed for A.Y. McDonald PEP compression **WILL** cause failure. If you have any questions as to whether the fitting body is designed for A.Y. McDonald PEP compression, contact A.Y. McDonald Mfg. Co.
2. Prior to installation, remove protective closures and inspect the compression body and conversion coupling to ensure threads and sealing surfaces are free of dirt, nicks, dings, or contaminants that would prohibit a proper seal; in addition, ensure the sealing (flat) gasket is properly seated in the conversion coupling end.
3. Assemble conversion coupling to the PEP compression end body (see figure), and tighten to 40-60 ft-lbs.
4. Use only on cold water services.



74694 Series PEP to CTS Conversion Coupling



IMPORTANT NOTICE - READ CAREFULLY

1. The A.Y. McDonald PEP to CTS Conversion Coupling is designed to work only with PEP compression bodies. Using a 74694 series Conversion Coupling on bodies not designed for A.Y. McDonald PEP compression **WILL** cause failure. If you have any questions as to whether the fitting body is designed for A.Y. McDonald PEP compression, contact A.Y. McDonald Mfg. Co.
2. Prior to installation, remove protective closures and inspect the compression body and conversion coupling to ensure threads and sealing surfaces are free of dirt, nicks, dings, or contaminants that would prohibit a proper seal; in addition, ensure the sealing (flat) gasket is properly seated in the conversion coupling end.
3. Assemble conversion coupling to the PEP compression end body (see figure), and tighten to 40-60 ft-lbs.
4. Use only on cold water services.

Installation Instruction

A.Y. McDonald waterworks products are designed for reliable service. Like all brass products, however, improper handling and use can damage them.

CAUTIONS

1. Protect threads. Avoid loose fitting wrenches. Do not drop or impact.
2. Use extra care with high pressure (over 100 PSIG) and pipe over 1". Consult factory if desired.
3. Inspect and pressure test all joints, valves and fittings before backfilling.
4. Backfill carefully so as to avoid damage to the service line and connections. Looping of the service lines is recommended to minimize strain.
5. DO NOT use Vaseline®, plumber's grease, or any other petroleum-based product on seals or o-rings.

DAMAGE CAUSED BY IMPROPER USE AND/OR HANDLING WILL VOID OUR WARRANTY



WARNING: It is unlawful in CALIFORNIA & VERMONT (effective 1/1/2010); MARYLAND (effective 1/1/2012); LOUISIANA (effective 1/1/2013) and the UNITED STATES OF AMERICA (effective 1/4/2014) to use any product in the installation or repair of any public water system or any plumbing in a facility or system that provides water for human consumption if the wetted surface area of the product has a weighted average lead content greater than 0.25%. This prohibition does not extend to service saddles used in California, Louisiana or under USA Public Law 111-380.

Installation Instruction

A.Y. McDonald waterworks products are designed for reliable service. Like all brass products, however, improper handling and use can damage them.

CAUTIONS

1. Protect threads. Avoid loose fitting wrenches. Do not drop or impact.
2. Use extra care with high pressure (over 100 PSIG) and pipe over 1". Consult factory if desired.
3. Inspect and pressure test all joints, valves and fittings before backfilling.
4. Backfill carefully so as to avoid damage to the service line and connections. Looping of the service lines is recommended to minimize strain.
5. DO NOT use Vaseline®, plumber's grease, or any other petroleum-based product on seals or o-rings.

DAMAGE CAUSED BY IMPROPER USE AND/OR HANDLING WILL VOID OUR WARRANTY



WARNING: It is unlawful in CALIFORNIA & VERMONT (effective 1/1/2010); MARYLAND (effective 1/1/2012); LOUISIANA (effective 1/1/2013) and the UNITED STATES OF AMERICA (effective 1/4/2014) to use any product in the installation or repair of any public water system or any plumbing in a facility or system that provides water for human consumption if the wetted surface area of the product has a weighted average lead content greater than 0.25%. This prohibition does not extend to service saddles used in California, Louisiana or under USA Public Law 111-380.